

## BLOWDOWN SEPARATORS—STANDARD VENTED

**BTANK-10**

**BTANK-16**

**BTANK-18**  
(Canada Approved)

0-10 BHP / 0-120 KW

0-75 BHP / 0-750 KW

0-20 BHP / 0-200 KW

VENTED

VENTED

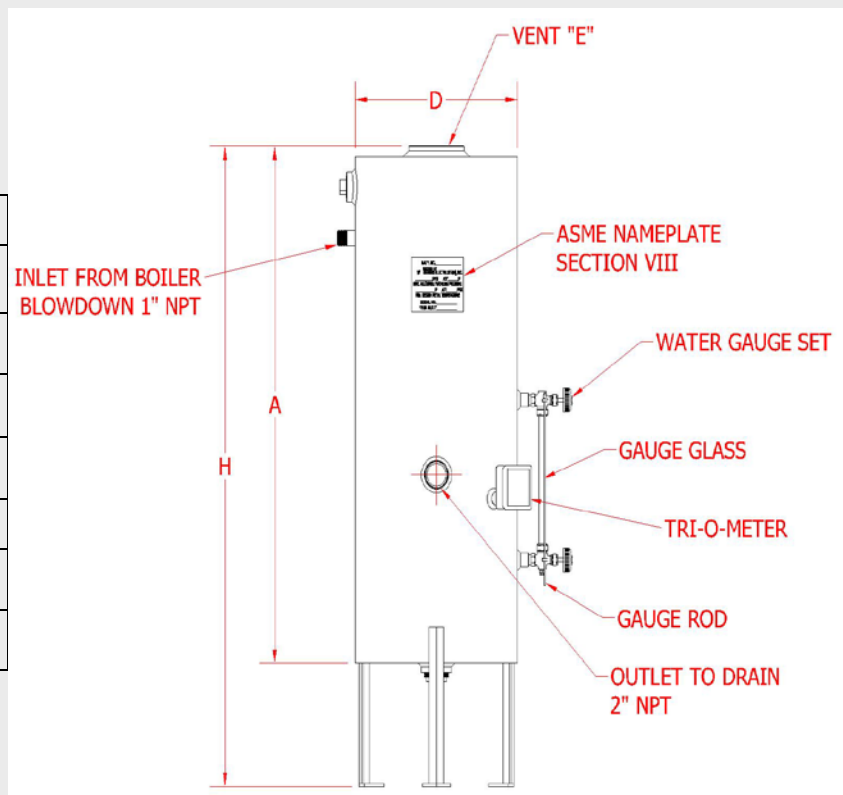
VENTED



### Optional Accessories:

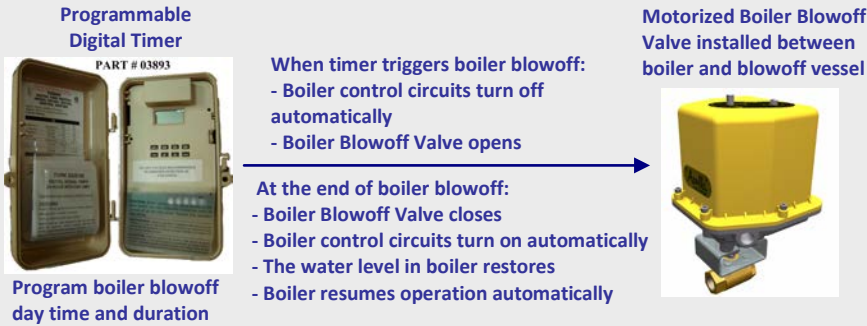
- Water Gauge Set
- Gauge Glass
- Tri-O-Meter (PSI/Temp Gauge)
- After Cooler

		BOILER HP / KW			
		A	0-12 / 0-120	0-75 / 0-750	0-20 / 0-200
INLET	B		1"	1"	1"
DRAIN	C		2"	2"	2"
DIAMETER	D		10.75"	16"	18.75"
VENT	E		4"	4"	2.5"
HEIGHT	H		48"	55"	44"
SHIP WEIGHT					

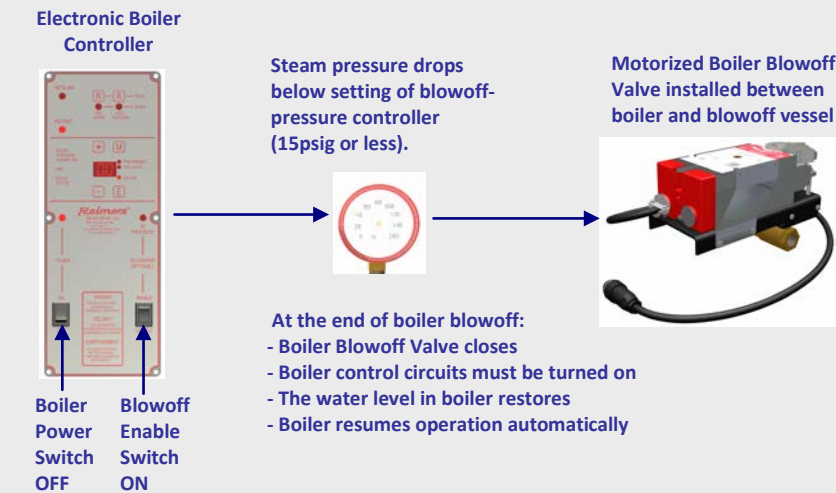


# Optional Equipment

## 1. Timer Controlled Boiler Blowoff System, #OPT1001:



## 2. Automatic Flush & Drain System, #OPT1016



## 3. After Cooler Unit #OPT1027

The after cooler unit installed to the vessel blowoff drain ensures that the temperature of the water discharged from the blowoff vessel is at or below 140°F or at the temperature specified in the relevant State Boiler Statute.



Boiler blowoff is an essential part of maintenance. If not performed regularly, the dissolved solids entering the boiler with the feed water accumulate at the bottom of the pressure vessel and form sludge. When the amount of sludge is so high that it covers the electrical heating elements in the boiler, they will fail prematurely.

Boiler blowoff is the process of discharging boiler water under pressure from the pressure vessel so that the accumulated sludge gets flushed out. This process must be performed properly. Otherwise it can be dangerous and may lead to injury.

The safest means for performing a boiler blowoff is the use of a blowoff vessel. Reimers Electra Steam, Inc. offers two types of blowoff vessels: vented and unvented. Both types of vessels are designed, manufactured and inspected to the ASME Code, Section VIII and comply with the National Board NB-27 document "A Guide for Blowoff Vessels". This compliance is required by the most State Boiler Laws and Statutes. Always verify Local and State requirements prior to purchase.