

## SR20 Steam Boiler Series



ASME  
CSD-1  
CRN



### Features

- Miniature boiler designed and constructed to Section I, Parts PMB & PEB of the A.S.M.E. Boiler Code, inspected and registered with National Board  
Max. vessel volume 1.4ft<sup>3</sup>  
Max. safety valve setting 100psi
- Dry saturated steam
- Operating pressure range 0 – 85psig
- Heavy duty 304 or 316 stainless steel pressure vessel. Vessel jacket and electrical enclosure 304 stainless
- Pacified pressure vessel and heating elements

### Applications

- Clean Steam Generator for Autoclaves
- Ultra Pure Steam for Medical Research, Pharmaceutical and Cosmetics
- Pure Steam Humidifier
- Steam Sterilizing
- Food Service
- Laboratories

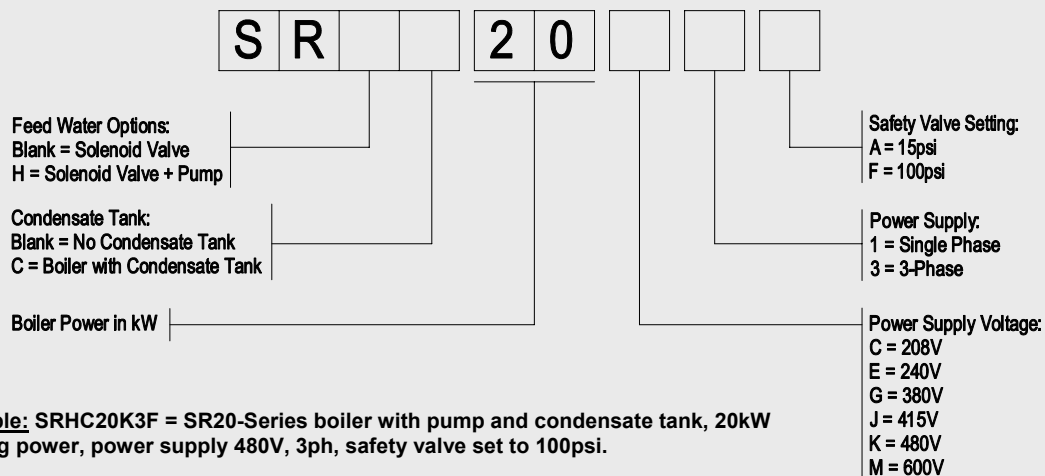
**Standard equipment of each boiler includes:** Low water cutoff control with manual reset, high pressure cutoff control with manual reset, one (1) operating pressure control, gauge glass set, pressure gauge and safety valve.

SR20 SERIES LOW & HIGH PRESSURE STEAM BOILERS									
KW	LB/HR	BHP	VOLTAGE*	PHASE	SHIP WT. LB	OP. PRESS. RANGE	MBTU/HR	Steam Outlet (NPT)	
								LP	HP
20 KW	69	2.0	240	1	249	0-85 PSIG	67	1/2	1/2
20 KW	69	2.0	208/240/380**/415**/480/600	3	249	0-85 PSIG	67	1/2	1/2

\* Each boiler model requires two (2) power supplies: Primary heating power and secondary control voltage. Nominal control voltage for cULus models is 120V, 60Hz, for non-cULus models nominal control voltage is 220-240V, 50Hz. When boiler is equipped with transformer option, only heating power supply required.

\*\* No cULus Approval

### Model Number Key



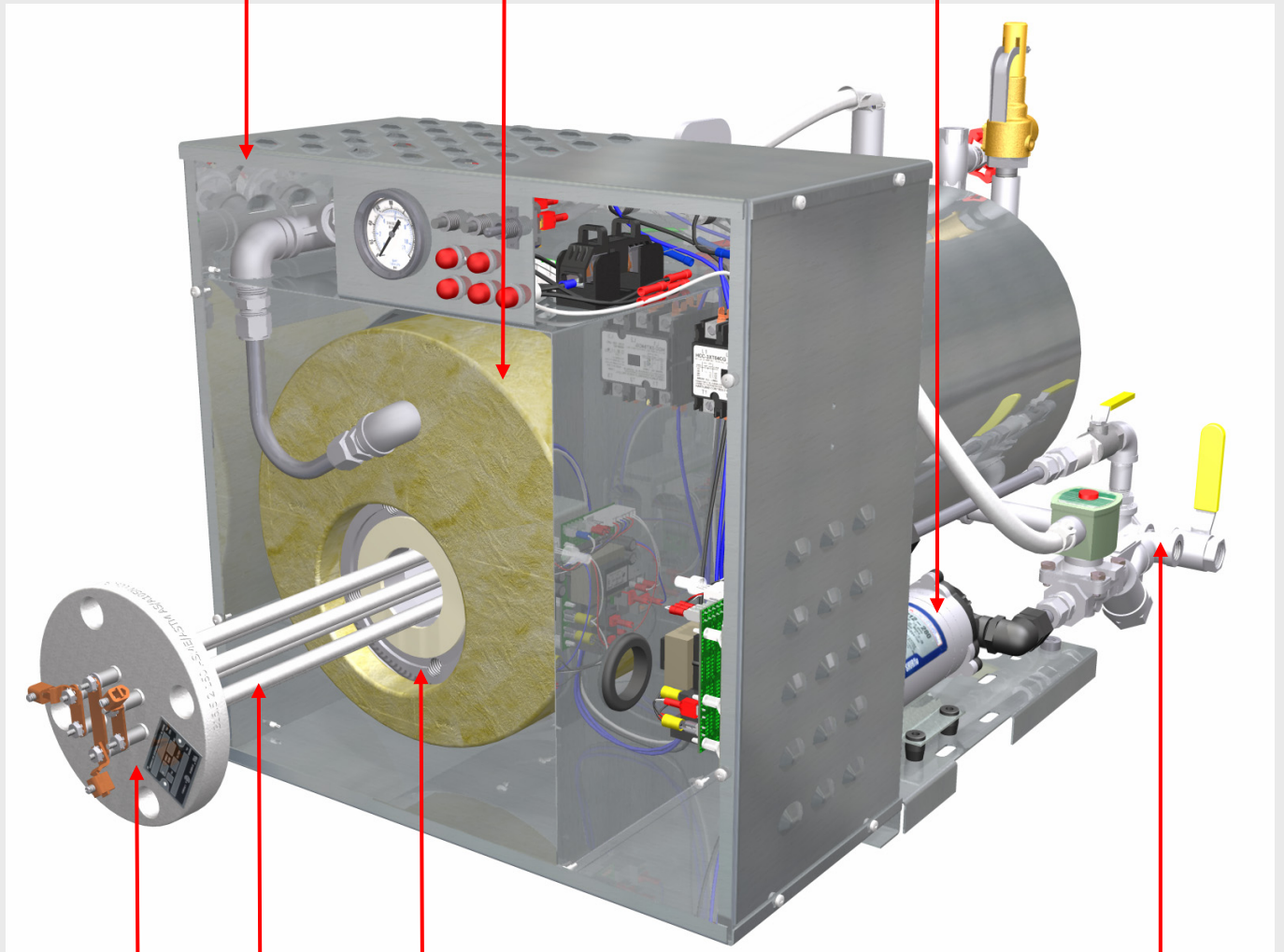
**Example:** SRHC20K3F = SR20-Series boiler with pump and condensate tank, 20kW heating power, power supply 480V, 3ph, safety valve set to 100psi.

# Construction

**Electrical Enclosure and Shell Wrapper:  
304 Stainless Steel**

**Shell Thermal Insulation:  
Mineral Wool:  
2" min. thick**

**High Pressure Feed Water Pump:  
Wetted parts:  
Choose ABS, BUNA-N, 304/316 SS  
Or  
All 316 SS**



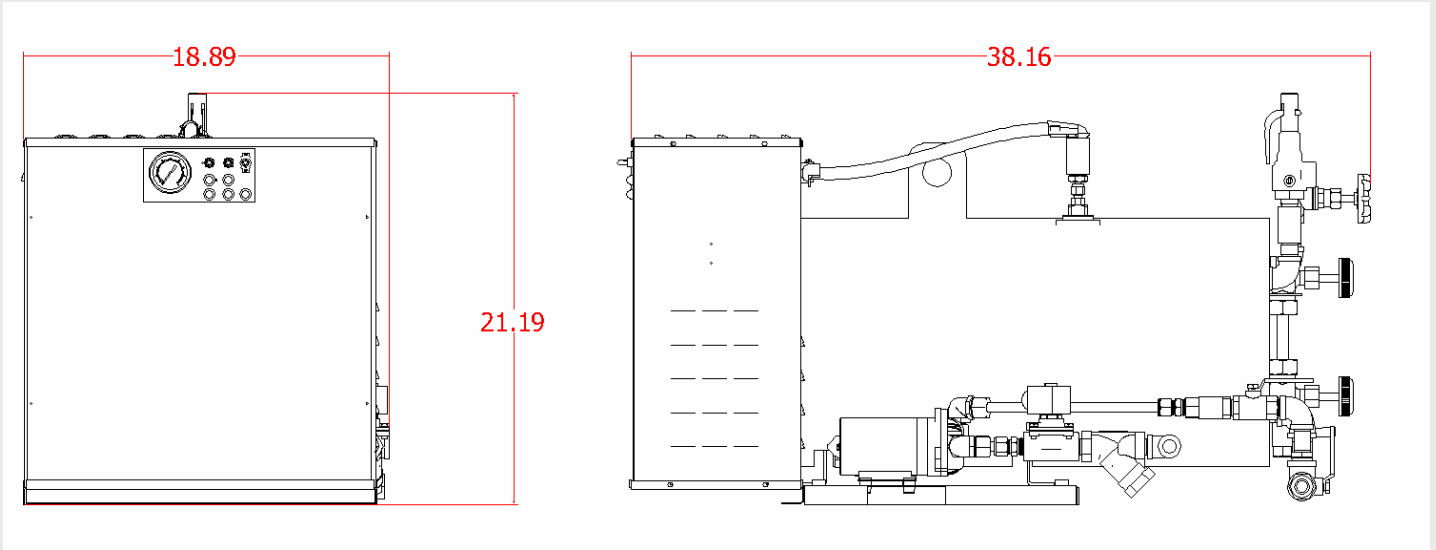
**Heating Elements:  
Rods and Flanges  
316 SS standard**

**Shell:  
Choose 304L SS  
or 316L SS**

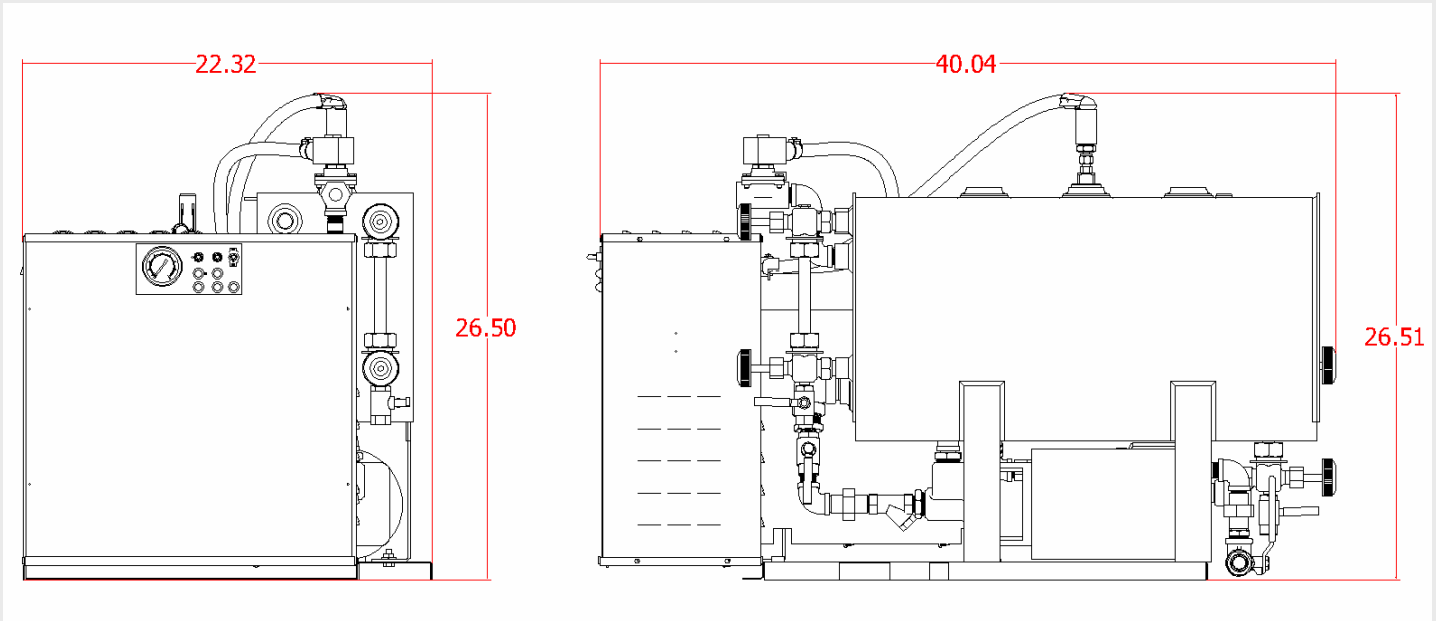
**Boiler External Piping:  
Choose 304L SS  
or 316L SS**

# Overall Dimensions

## SR20/SRH20 – Models

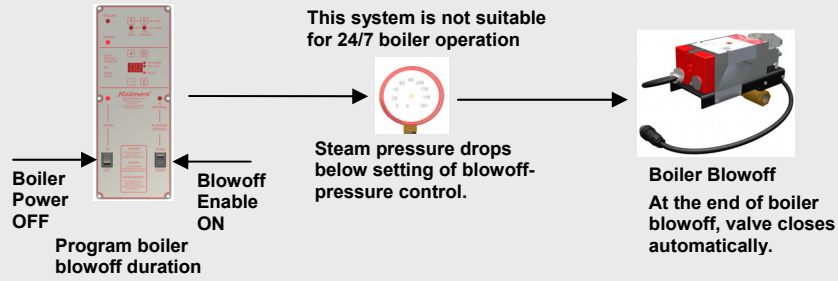


## SRHC20 – Models



## Optional Equipment

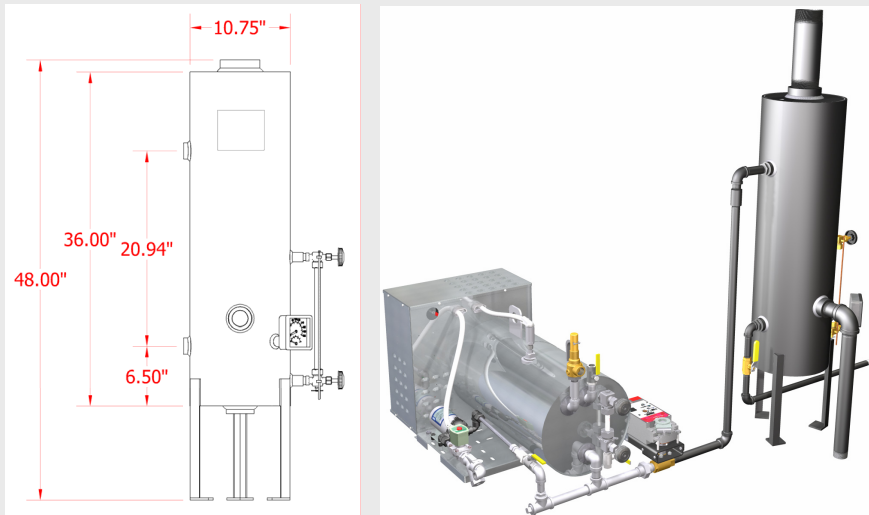
### 1. #OPT1016 : Automatic Flush & Drain Pressure Controlled Boiler Blowoff System



### 2. #OPT1001: Timer Controlled Boiler Blowoff System



### 3. #BTANK-10: Blowoff Tank



Blowoff tank dimensions

Typical blowoff tank installation

### 4. Control Voltage Transformer. When using this option, only main power supply required to operate boiler.

Boiler Voltage	Transformer Option Part Number	
	Boiler Model	
	SR20/SRH20 - Models	SRHC20 - Models
208V	OPT1009 - 208RBH	OPT1011 - 208RBHC
240V	OPT1009 - 240RBH	OPT1011 - 240RHHC
380V	OPT1009 - 380 - 415RBH	OPT1011 - 380 - 415RBHC
415V	OPT1009 - 380 - 415RBH	OPT1011 - 380 - 415RBHC
480V	OPT1009 - 480RBH	OPT1011 - 480RBHC
600V	OPT1009 - 600RBH	OPT1011 - 600RBHC

### 5. #OPT1012-SS Auxiliary Low Water Cut-Off:

### 6. Timer Controlled Boiler On/Off, #OPT1017

