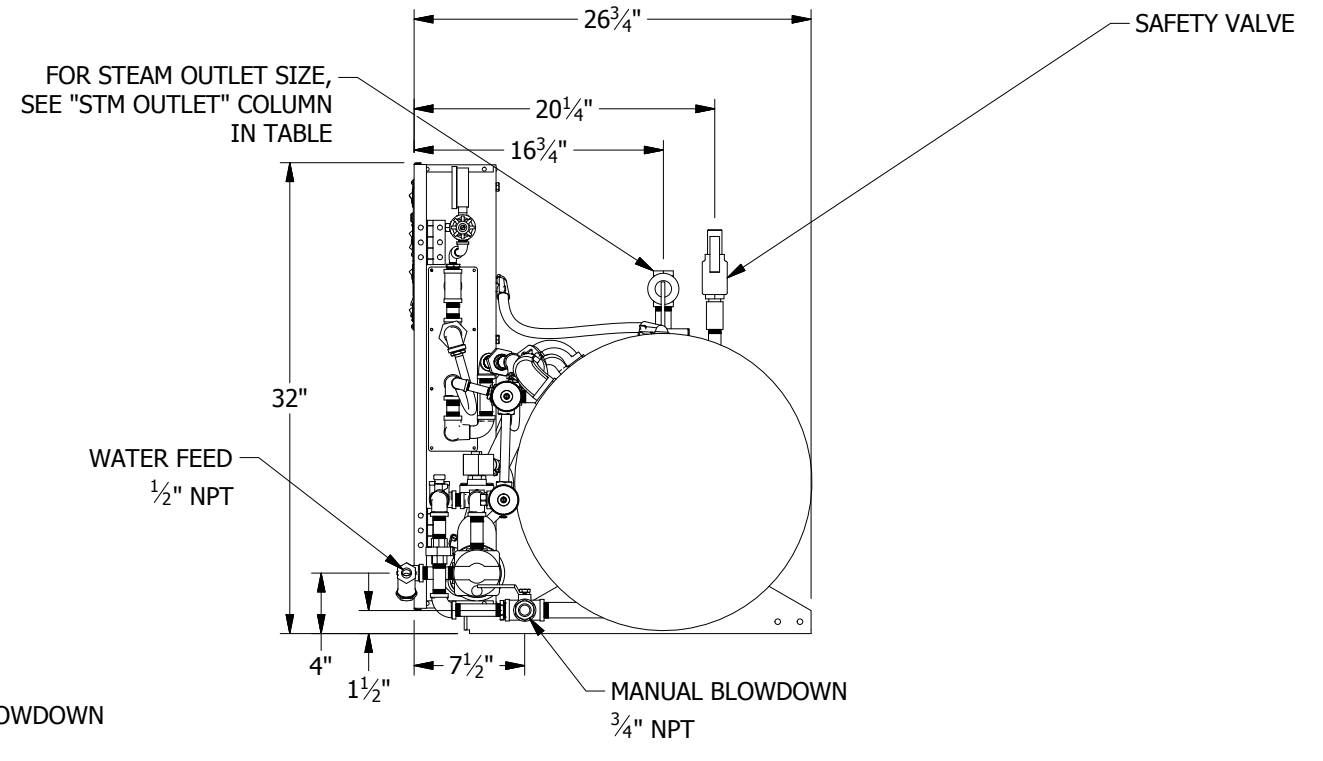
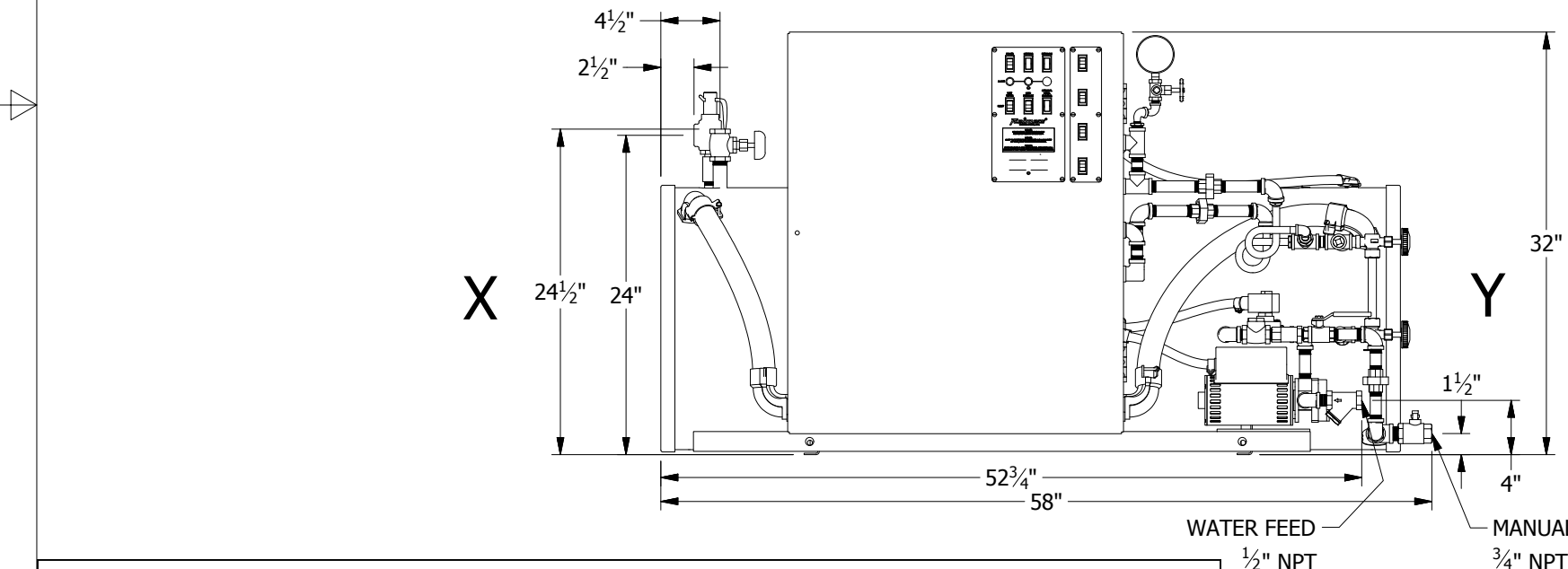
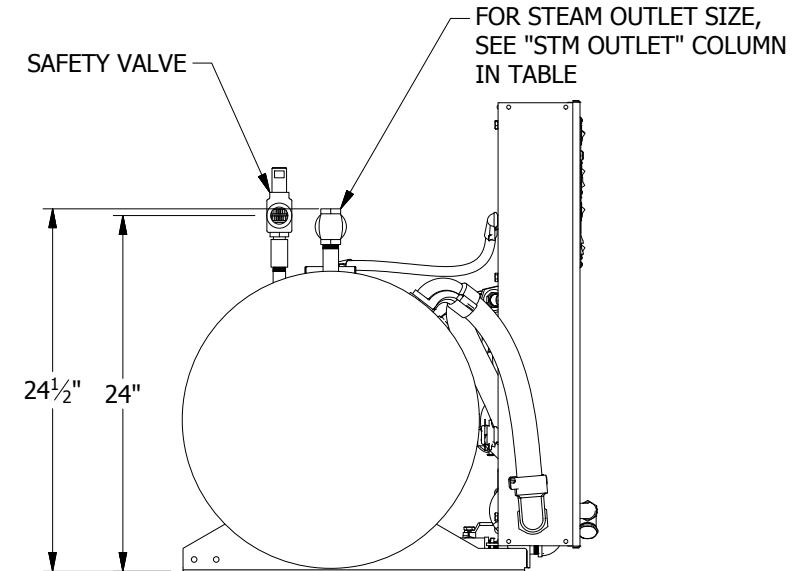
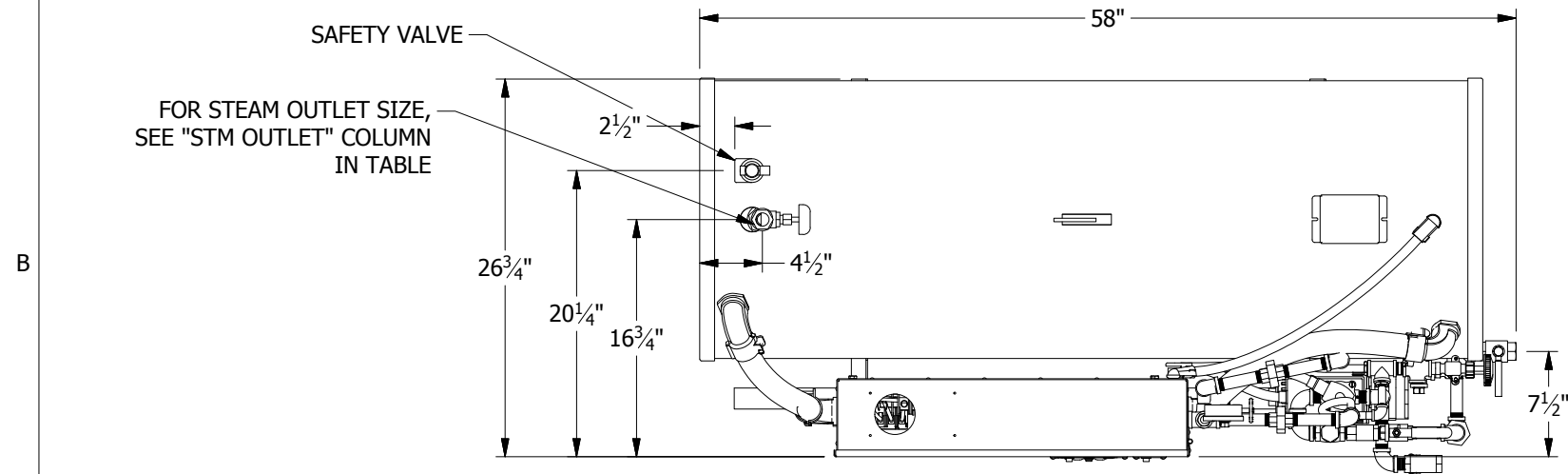


ELEMENT REMOVAL CLEARANCE	
	R 100-120
X	36"
Y	36"



REIMERS ELECTRIC STEAM BOILERS									
R SERIES LOW & HIGH PRESSURE STEAM									
AVAILABLE WITH PUMP AND CONDENSATE TANK									
100 PSIG DESIGN - RANGE 0-85									
KW	# HR	BHP	VOLTAGE	PHASE	R/RH/RHC	SHIP WT.	MBTU/HR	STM OUTLET (NPT)	
								LP	HP
100 KW	348	10	208/540/480	3	618/628/782	337	1 1/4	1 1/4	
120 KW	417	12	208/240/480	3	618/62/782	405	2	1 1/4	
AVAILABLE WITH PUMP AND CONDENSATE TANK									

TOLERANCES	DRAWN	8/5/2009
FRACTIONS ±"	R. LOGUE	
DECIMAL ±	CHECKED	
ANGLE ±°	QA	
MATERIAL	MFG	
	APPROVED	

**Reimers**® Electra Steam, Inc.  
 P.O. Box 37 Clear Brook VA 22624  
 WWW.REIMERSINC.COM 540/662-3811 (Fax: 540/665-8101)

TITLE  
**BOILER R 100-120 W/ PUMP AND SOLENOID VALVE**

SIZE B DWG NO RH 100-120 REV

SCALE 1/13 SHEET 1 OF 1